

RC4 BURGLAR-RESISTANT AND FB4 BULLETPROOF THERMALLY BROKEN ALUMINIUM FIXED WINDOW

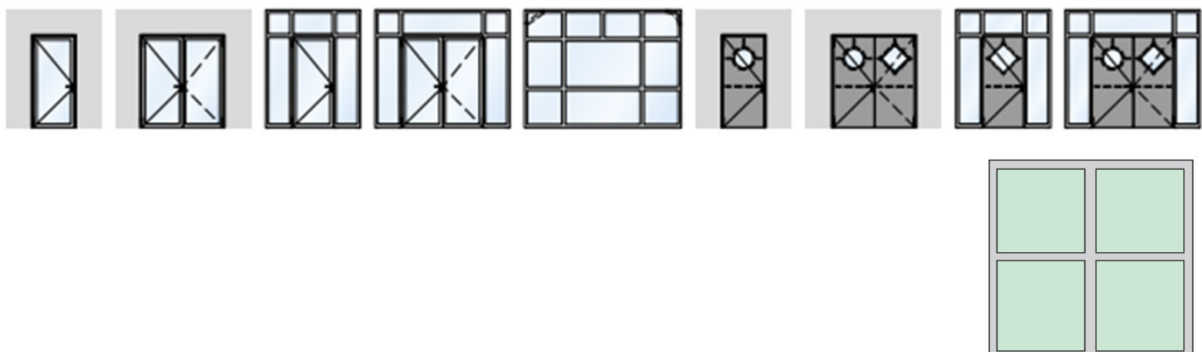
This technical datasheet relates to a burglar-resistant and bulletproof aluminium window whose construction complies with the applicable European standards. This window is custom-made, with numerous possible designs and a powder coating finish. It is therefore suitable for the needs of various sectors.

SYSTEM DESCRIPTION

PROFILE

- Thermally broken aluminium profile reinforced with a solid steel insert
- Construction depth: 90 mm
- Face width: 59 mm

CONFIGURATIONS



DIMENSIONS/WEIGHT MIN/MAX

Maximum dimensions depend on the maximum dimensions of the glass.

FINISHING

Qualisteelcoat class 4 powder coating in standard RAL color chart

FILLING

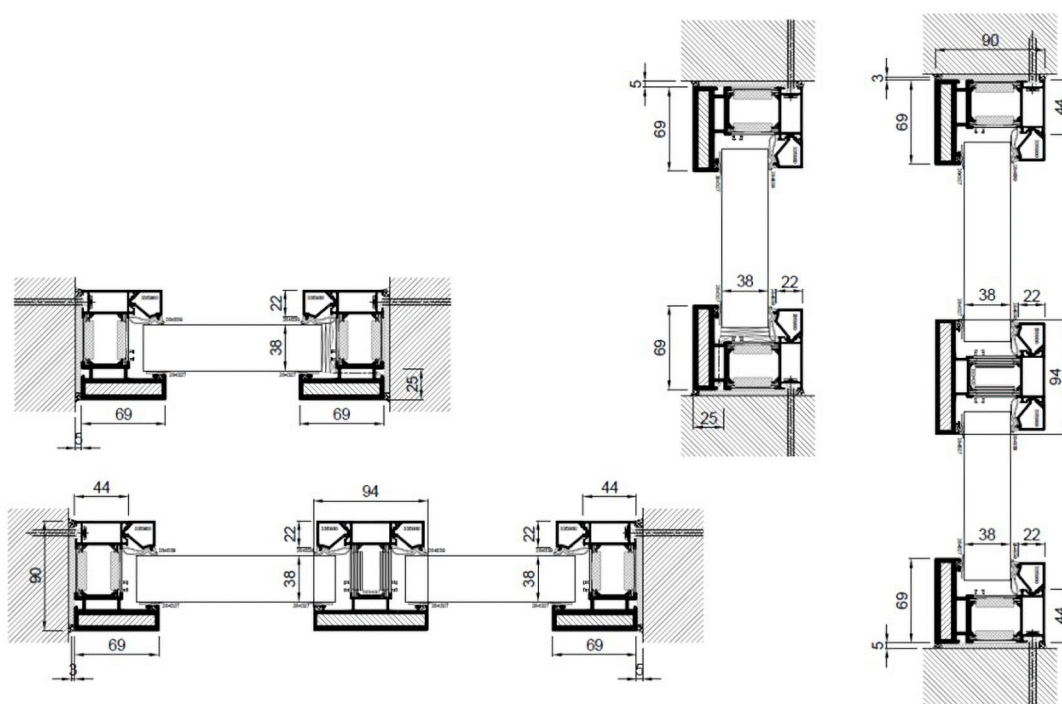
- Glazing
 - Single or double glazing, burglar-resistant class P6B according to EN 356 and bulletproof class BR4 according to EN 1063, with a maximum total thickness of 57 mm
 - Bonded glazing
 - Clip-in glazing beads
 - Installation with EPDM rubber sealing

SPECIFICATIONS

PERFORMANCE	
Bulletproof	Class FB4 according to EN 1522
Burglar-resistant	Klasse RC4 volgens EN 1627

ADDITIONAL PERFORMANCE RATINGS	
Acoustic Insulation	Up to 44 dB (-2 ; -4)* according to EN ISO 717-1
Thermal Insulation	Uf = 1,97 W/m ² K
Wind Load Resistance	Class C3 according to EN 12210
Watertightness	Class 5A according to EN 12208
Air Permeability	Class 2 according to EN 12207
Impact Resistance	Class 1 according to EN 13049

* May vary depending on the size and composition of the entire structure. Follow the recommendations of the profile system manufacturer.



CERTIFICATION

OTHER PRODUCT TYPES WITHIN SECURITEQ

